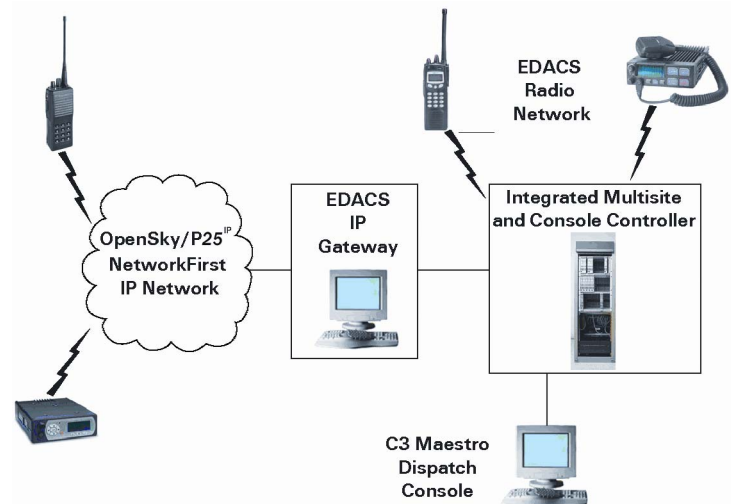


The EDACS IP Gateway provides internetworking between an Enhanced Digital Access Communications System (EDACS) network and an OpenSky, NetworkFirst, or P25<sup>IP</sup> network. The IP Gateway is useful in many scenarios, including the migration of existing EDACS customers to the spectrally efficient OpenSky trunked radio solution. The IP Gateway also allows the C3 Maestro<sup>TM</sup> Console to be used for dispatching on an OpenSky, NetworkFirst, or P25<sup>IP</sup> system.



## Product Overview

The EDACS IP Gateway is a trunked network product that uses standard off-the-shelf components combined with EDACS Integrated Multisite and Console Controller (IMC<sup>TM</sup>) cards and sophisticated software to allow communications between an EDACS network and an OpenSky, NetworkFirst, or P25<sup>IP</sup> network.

### IP Gateway Overview

The IP Gateway uses a dual-core Xeon<sup>®</sup>-processor-based server and Cisco<sup>®</sup> networking equipment to receive OpenSky or P25<sup>IP</sup> voice packets and direct them to the IMC, where they are vocoded and routed to C3 Maestro Consoles as analog voice and to EDACS RF sites as either analog calls or ProVoice<sup>TM</sup> digital calls. EDACS radio and dispatcher-originated calls are vocoded and formatted into voice packets for distribution throughout the OpenSky/P25<sup>IP</sup> radio network. The IP Gateway can support up to 48 concurrent calls in each direction (full duplex).

### Interoperability

The EDACS IP Gateway enables several internetworking scenarios.

- Permits customers on different systems (P25<sup>IP</sup>/OpenSky/EDACS) to join their systems for internetwork communications.
- Allows an existing EDACS customer to smoothly migrate to OpenSky or P25<sup>IP</sup> while maintaining C3 Maestro dispatch capabilities, thus saving money on hardware replacement and operator re-training costs.
- Enables a hybrid EDACS/OpenSky/P25<sup>IP</sup> network where some users take advantage of EDACS features such as analog voice and simulcast coverage while other users take advantage of OpenSky TDMA spectral efficiency and OpenSky data, or P25<sup>IP</sup> interoperability with neighboring networks.
- Allows a NetworkFirst system to interface with an EDACS network and provide dispatch, logging, and other features to NetworkFirst users.

### Dispatch Capability

The EDACS IP Gateway also allows the sophisticated features of the C3 Maestro Console to be used for dispatching on an OpenSky, NetworkFirst, or P25<sup>IP</sup> system. The C3 Maestro is a PC-based CRT console installed in hundreds of dispatch centers worldwide. It provides a flexible, user-programmable interface and the features demanded by public safety customers.

### For More Information

For more information about this or any other M/A-COM Wireless Systems product, call toll free in the U.S. 800-368-3277. From outside the U.S. call 1-434-455-9223 (Asia Pacific), 1-434-455-9229 (Latin America and Middle East), and 1-434-455-9219 (Europe).

## EDACS IP Gateway

### Hardware Components

#### IP Gateway Computer:

- 5 Rack Unit 19-inch Chassis
- Dual Xeon® Processors
- 146 GB Hard Drive
- Integrated Promise ATA/100 RAID  
Supports RAID 0 and RAID 1
- 2 GB RAM
- Gigabit Ethernet Card
- DVD-RW Drive
- 3.5-inch Floppy Disk Drive
- Two stacked USB ports; Single External Serial A Port, Single Internal Serial B Header
- Integrated ATI Rage XL SVGA PCI Video  
2 MB Video Memory
- RS-232/-422/-485 DB-25 Serial Card

#### Cisco Router (OpenSky Gateway only)

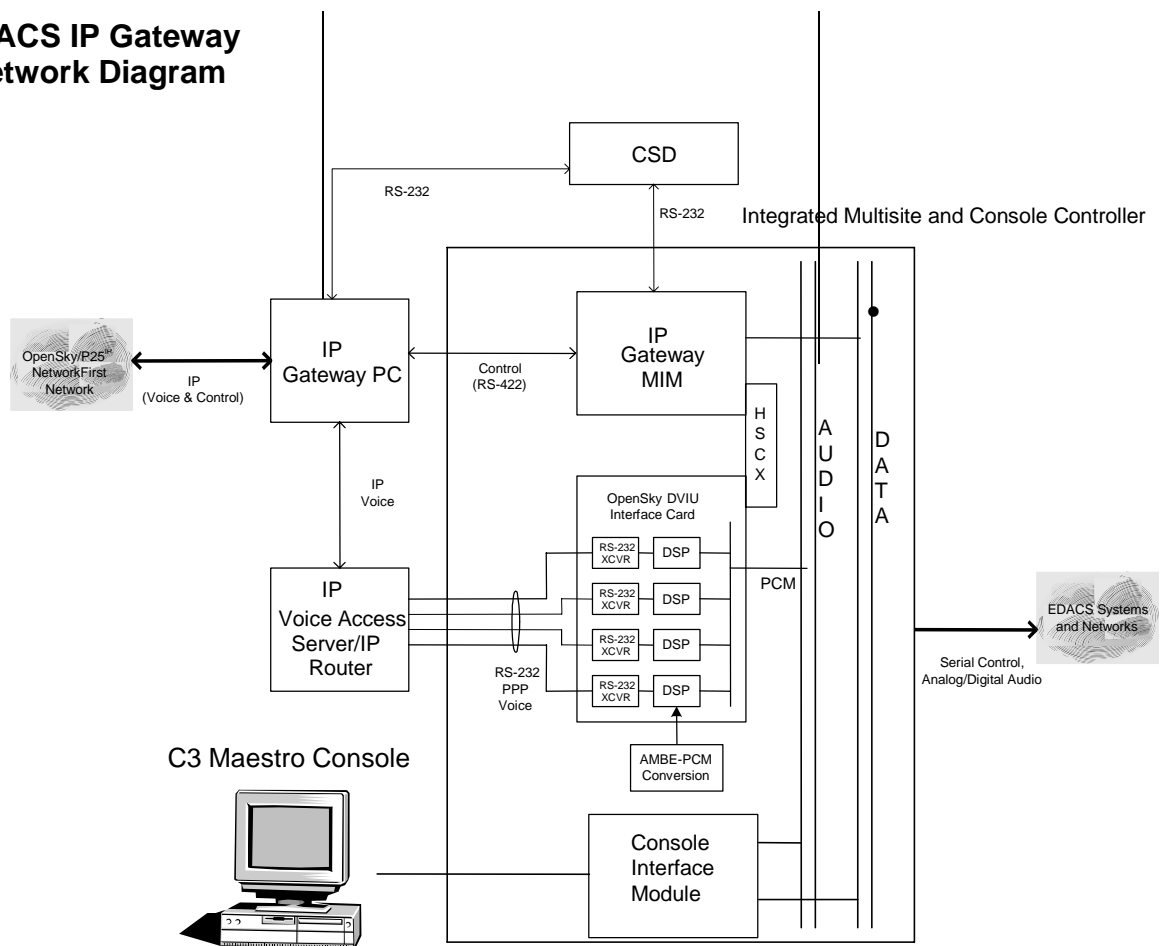
#### Integrated Multisite and Console Controller Cards:

- One Controller board per 24 channels
- One Gateway Voice Interface Unit card per 4 channels

### Operational Features

- Up to 48 concurrent calls (in both directions)
- Group calls between OpenSky, NetworkFirst, or P25<sup>IP</sup> and EDACS (in both directions)
- Individual calls
- Caller ID passed to C3 Maestro dispatcher
- Talkgroup patch
- Talkgroup simulselect
- Emergency calls
- Console-to-Console Features
  - Console Cross-Mute
  - Console Intercom
  - Group busy indicators
  - Patch/Simulselect active indicators

## EDACS IP Gateway Network Diagram



### M/A-COM Wireless Systems

P. O. Box 2000  
Lynchburg, Virginia 24501  
Phone: 800-368-3277  
www.macom-wireless.com

ECR-7129C  
OpenSky and EDACS are registered trademarks of M/A-COM, Inc.  
C3 Maestro, ProVoice, and IMC are trademarks of M/A-COM, Inc.  
All other trademarks are the property of their respective manufacturers.

Copyright © 2006 M/A-COM, Inc. All rights reserved.

12/06 Printed in U.S.A.